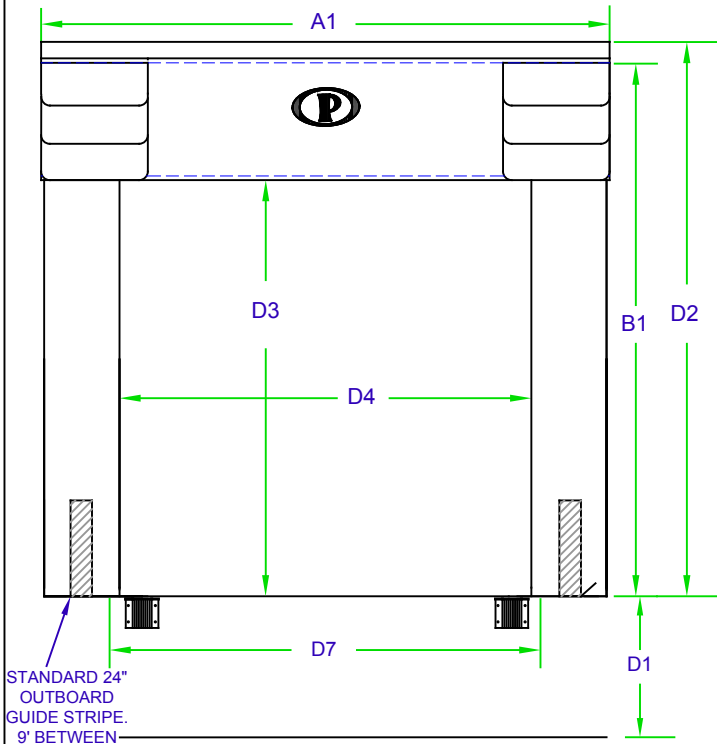
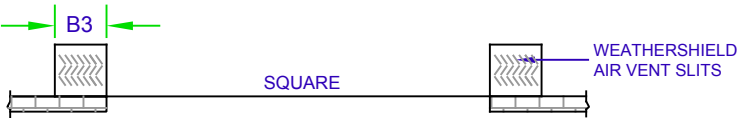


WEATHER SHIELD DOCK SEAL: F-SERIES HEAD CURTAIN

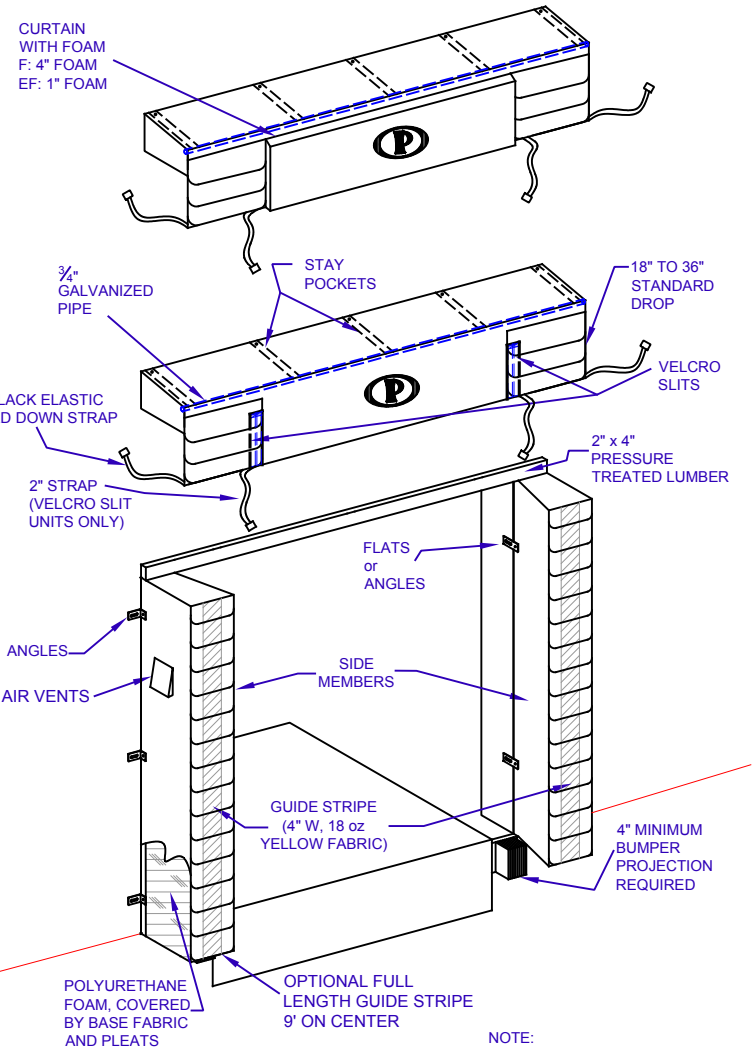
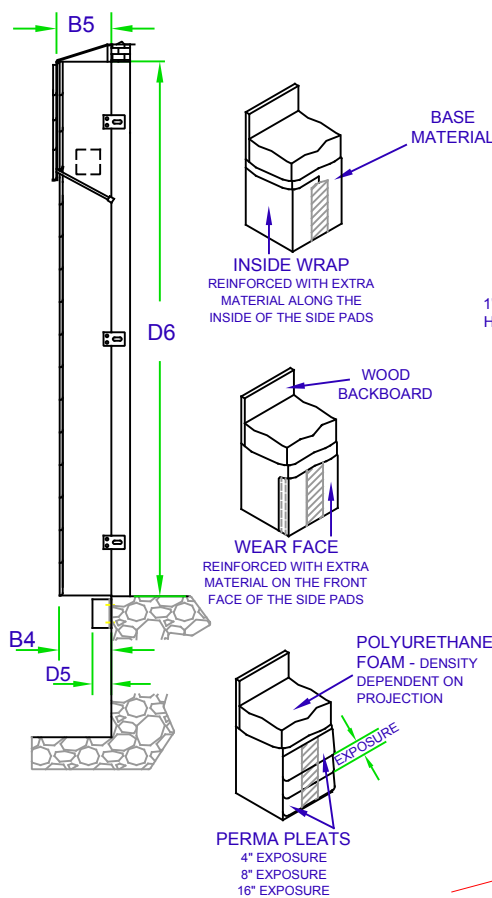
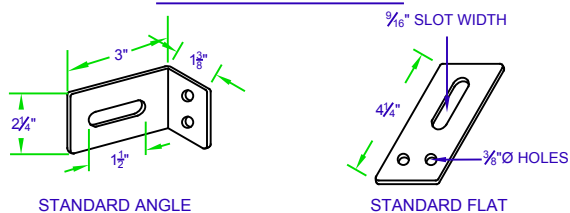
(F: 4" FOAM, EF: 1" FOAM, NF: NO FOAM)



STANDARD 24" OUTBOARD GUIDE STRIPE. 9" BETWEEN




GALVANIZED MOUNTING BRACKETS



DESIGNED FOR DOORS 9" OR HIGHER

NOTE: LOCATION OF ANGLES AND FLATS DETERMINED BY INSTALLER TO SUIT WALL CONFIGURATIONS

DIMS.		HEAD CURTAIN DATA:		GENERAL INFO:	
A1 - _____	" LENGTH	MATERIAL - _____		DIMS.	APPROACH - DECLINE: <input type="checkbox"/> INCLINE: <input type="checkbox"/> LEVEL: <input type="checkbox"/>
CURTAIN DROP: _____	"	PERMA PLEATS: <input type="checkbox"/>		D1 - _____	" DOCK HEIGHT FROM GROUND
VELCRO SLITS: _____	"	PLEAT MATERIAL - _____		D2 - _____	" ENTIRE UNIT HEIGHT
		EXPOSURE - _____		D3 - _____	" INSIDE OPENING HEIGHT
				D4 - _____	" INSIDE OPENING WIDTH
				D5 - _____	" BUMPER PROJ
				D6 - _____	" DOOR HEIGHT
				D7 - _____	" DOOR WIDTH
3 ROPE PULL-UP: <input type="checkbox"/>		CURTAIN TYPE: F: <input type="checkbox"/> EF: <input type="checkbox"/> NF: <input type="checkbox"/>			
DIMS.		SIDE PAD DATA:		 PERMA TECH, INC. 363 HAMBURG STREET • BUFFALO, NY 14204 (716) 854-0707 • 1-800-DOC-SEAL www.permatechinc.com	
B1 - _____	" LENGTH	MATERIAL - _____			
B2 - _____	" WIDTH AT REAR	WEAR FACE: <input type="checkbox"/>		JOB:	
B3 - _____	" WIDTH AT FACE	INSIDE WRAP: <input type="checkbox"/>		DEALER:	DATE:
B4 - _____	" PROJ. AT BOTTOM	PERMA PLEATS: <input type="checkbox"/>		CONTACT:	QUOTE #:
B5 - _____	" PROJ. AT TOP	PLEAT MATERIAL - _____		APPROVED BY SIGNATURE:	
		EXPOSURE - _____			
		FULL LENGTH GUIDE STRIPE: <input type="checkbox"/>			
		SPECIAL INFORMATION:			